

# DESK<sup>TM</sup> in a BOX

The logo features the word 'DESK' in a large, bold, sans-serif font. A small 'TM' trademark symbol is positioned to the upper right of the 'K'. Below 'DESK', the words 'in a' are written in a smaller, lowercase, sans-serif font, stacked vertically. To the right of 'in a' is the word 'BOX' in a large, bold, sans-serif font. A thick, black, rounded line starts from the bottom left of the 'B', goes right, then up, then right, then down, and finally right, ending at the bottom right of the 'X', effectively framing the text.

ASSEMBLY INSTRUCTIONS

# Single Senior



**DESK™**  
**in a**  
**BOX**

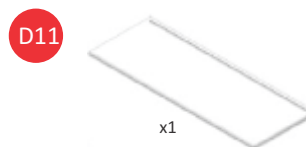
# Inside story



LH Foot Corner bracket



90 Degree Corner bracket



Desk Top: 750 x 450



RH Foot Corner bracket



T-Panel Support bracket

## Rails & Legs



Bottom side rail - 293mm	D20	x 2
Top centre rail - 327mm	D21	x 1
Leg - 614mm	D22	x 4
Bottom front rail - 648mm	D23	x 1
Top front rail - 592mm	D24	x 1
Top back rail - 840mm	D25	x 1



LH Foot bracket



Rail Spacer

## Toolkit:



Sleeve and screw sets



RH Foot bracket



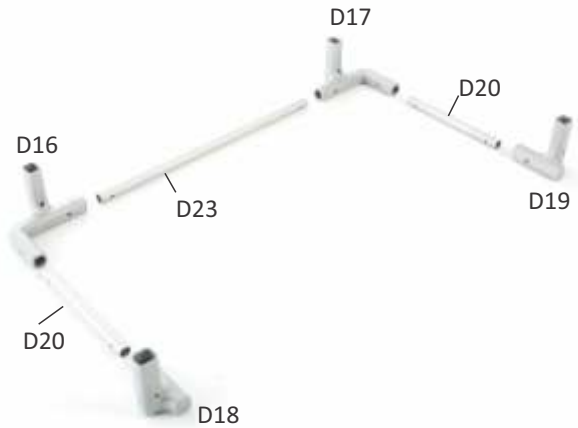
Stack Spacer



Frame to Desk Top screw

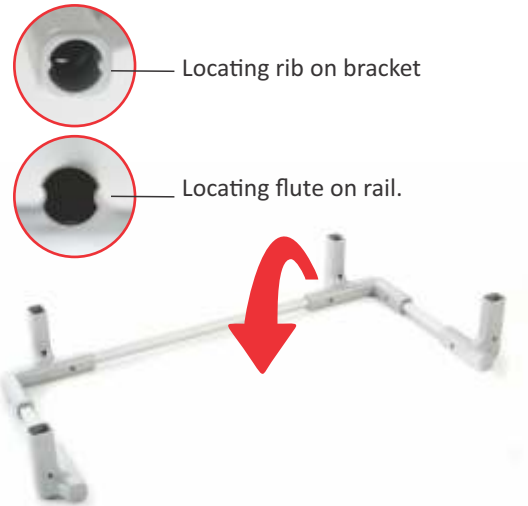


Stack Spacer screw



1

Place the Right Hand Foot Corner Bracket (D16) opposite the Left Hand Foot Corner Bracket (D17). Insert the Bottom Front Rail (D23) in between the two brackets, using the locating ribs and flutes.



2

Place the Right Hand Foot bracket (D18) opposite D16, and insert a Bottom Side Rail (D20) in between. Place the Left Hand Foot Bracket (D19) opposite D17 and insert another D20 Rail the between the two brackets.



3

Flip the assembled frame over. Secure all Bottom Rails with the sleeve and screws provided. Insert the four legs (D22).



4

Secure the legs with the sleeve and screws provided. The desk base assembly is now complete.



5

To assemble the desk top frame, place the two T Panel Support brackets (D2) opposite each other. Place the top centre rail (D21) in between. Secure with sleeve and screws provided.



6

Slide the longer Top front rail (D25) in through the support bracket (D2) and align with the centre hole of rail. Repeat for the Top back rail (D24). Place the four 90 Degree Corner brackets (D1) on the ends of the two rails.



7

Secure the 90 Degree Corner brackets (D1) onto the rails with the sleeve and screws provided. The desk top frame is now complete.



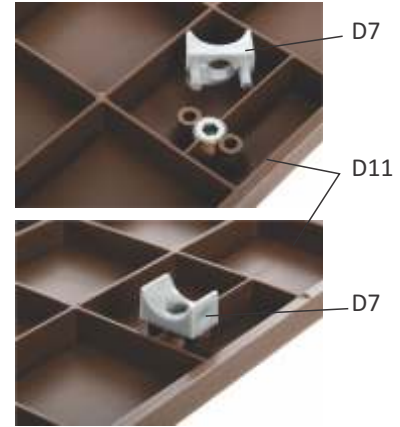
8

Place the desk top frame onto the bottom frame with the longest side (desk back) on the open side of the bottom frame. Secure the corner brackets (D1) onto the bottom frame legs with the sleeve and screws provided.



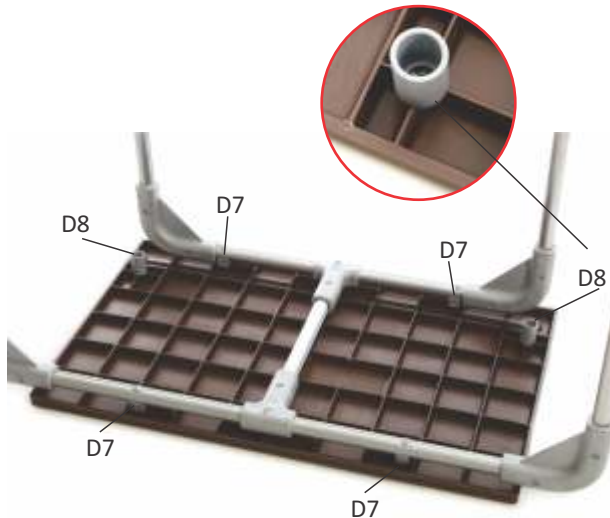
9

The completed desk frame is now ready for the Desk Top (D11) to be installed.



10

On the underside of the Desk Top (D11) locate the pre-drilled holes (x4) along the long sides of the top. Secure the Rail Spacers (D7) by pushing the Spacer (D7) into the side holes.



11

In the two remaining holes on the underside of the Desk Top (D11) secure the Stack Spacer (D8) with the short Stack Spacer screws provided. Whilst still in the upside down position, locate the completed desk frame over the top, ensuring that the Rail Spacers (D7) sit snugly on the rails.



12

Align with the 6 exposed holes which have the steel internal thread. Secure the desk frame using the long Frame to Desk Top screws through the rails and the T-Panel Support bracket (D2). Flip the Desk Top over and it is ready to use.

# Behind the scenes

**Desk in a box** is constructed from plastic injected polypropylene connectors and extruded aluminium to create a simplified, lightweight, modular school desk.

This fully collapsible desk is easy to assemble and cost effective to transport. It is strong, scratch resistant, eco-friendly, doesn't rust or crack on weld points and waterproof.

This versatile, stackable desk can be used in schools, colleges, training centres and even corporate in-house training facilities, or even your home.

Say goodbye to the antiquated, traditional steel and wood desk and say hello to the wholly recyclable, desk of generations to come.

## Family of products:



**Double Junior**



**Double Senior**

# Contact Us

Customer Care Call Centre: 0861 786 001

[www.deskinaboxsa.co.za](http://www.deskinaboxsa.co.za)



**DESK™**  
**in a**  
**BOX**